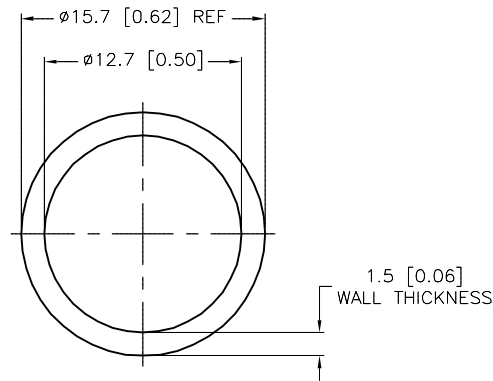


SPECIFICATIONS

MATERIAL	60 DURO TRANSLUCENT SILICONE RUBBER
TEMPERATURE RATING	232°C (450°F)
TENSILE STRENGTH	1275 PSI
ELONGATION	400%
TEAR STRENGTH, DIE B	100 PPI



SOURCE DRAWING - FOR REFERENCE ONLY

NOTES:

1. 10 - 6.00 INCH PIECES OF SILICONE TUBING PER BAG.

RELATED DOCUMENTS		3RD ANGLE PROJECTION	THIS DRAWING IS CONFIDENTIAL AND THE PROPERTY OF TURCK INC. USE OF THIS DOCUMENT WITHOUT WRITTEN PERMISSION IS PROHIBITED.		TURCK INC <i>High Technology Sensors and Automation Controls</i> 3000 CAMPUS DRIVE MINNEAPOLIS, MN 55441 1-800-544-7769 (763) 553-7300 (763) 553-0708 fax turck.com	
1.			DRFT	RDS	DATE	01/06/16
2.			APVD	T.S.	SCALE	1=.5
3.		ALL DIMENSIONS DISPLAYED ON THIS DRAWING ARE FOR REFERENCE ONLY	UNIT OF MEASUREMENT		DESCRIPTION	
4.			MILLIMETER [INCH]		ST ID 1/2-INCH (10/BAG-6IN)	
MATERIAL		CONTACT TURCK FOR MORE INFORMATION	IDENTIFICATION NO.		REV	
SEE SPECIFICATIONS			A9226		A	
FINISH		DO NOT SCALE THIS DRAWING		FILE: A9226		SHEET 1 OF 1
SEE SPECIFICATIONS						

A	DRAWING RELEASE	RDS	01/06/16	
REV	DESCRIPTION	BY	DATE	ECO NO.